

McWill USB charger for GAMEBOY COLOR Quick Guide

ATTENTION ! Installing the USB charger is at your own risk! Your GAMEBOY COLOR could be damaged if you are not able to do this modification! **Liability impossible!**

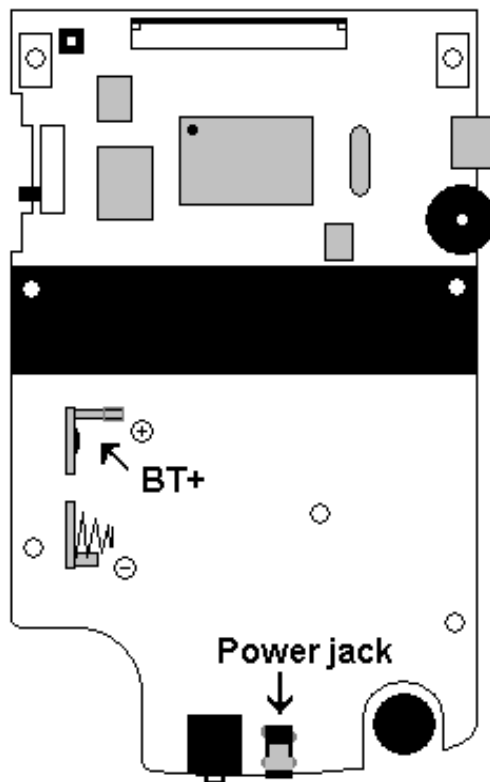
Required materials:

USB charger mod kit, 4 pin header (included), 4mm (0.1575 inch) drill



ATTENTION !

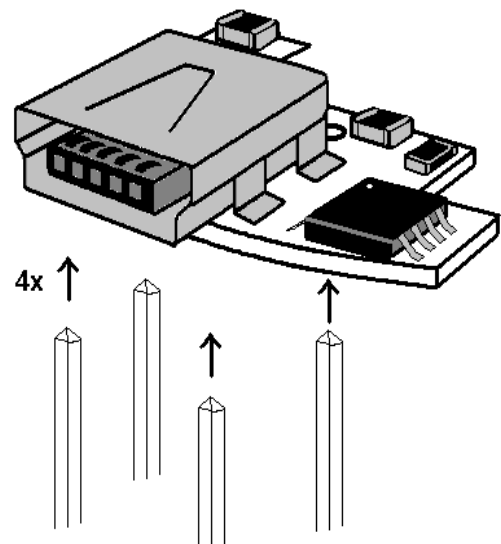
The maximum temperature of the soldering iron is **280°C / 540°F** and should not exceeded. Otherwise your GBC or USB charger PCB will be damaged!



1. ! IMPORTANT ! Remove the **battery clip BT+**

2. Then remove the **power jack**.

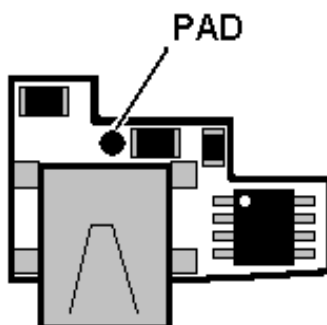
3. Use the 4 single pins of the pin header and solder them to the USB charger PCB (don't use too much solder!)



COPYRIGHT McWill 2018 - 2019

After soldering the pins to the USB charger PCB, you can put the USB charger PCB into the existing holes of the GBC power jack and solder them.

Now you can use a **4mm (0.1575 inch)** drill to mod the case for the new USB connector.



Finally solder 1 wire from the **PAD** of the USB charger PCB to the **battery clip** inside the **lower case**.

After assembling the GBC you can use any LiPo battery in the size **14500**. But I recommend LiPo batteries with protection circuit, because the LiPo battery will last longer then (only **1** battery is needed).

For charging your GBC you can use any USB 5 Volt charger with **Mini USB connector**.

For example: With a LiPo 14500 battery with 1300 mA you can play about 8 - 10 hours depending of sound.